



# LEICA Magnus i

## Technical data



Riflescope	Leica Magnus 1 – 6.3x24 i	Leica Magnus 1.5 – 10x42 i
Package includes	riflescope caps for front lens/eyepiece, cleaning tissue	riflescope caps for front lens/eyepiece, cleaning tissue
Front lens diameter	24 mm	42 mm
Magnification	1 – 6.3x	1.5 – 10x
Zoom	6.3x	6.7x
Field of view at max. magnification (m/100 m)	7.1 yds / 6.5 m	4.4 yds / 4.1 m
Field of view at min. magnification (m/100 m)	47.2 yds / 43.2 m	28.4 yds / 26 m
Eye relief	> 3.5 in / 90 mm	> 3.5 in / 90 mm
Exit pupil	3.8 - 12.4 mm	4.2 - 12.4 mm
Parallax	100 m	100 m
Diopter compensation	-4/+3 dpt	-4/+3 dpt
Coating	AquaDura® lens coating	AquaDura® lens coating
Transmission	approx. 91%	approx. 91%
Mounting option	30 mm tube / Zeiss internal track	30 mm tube / Zeiss internal track
Impact point correction	1 click = 1 cm/100 m ( $\approx 1/3$ MOA), 200 x140 cm	1 click = 1 cm/100 m ( $\approx 1/3$ MOA), 150 x140 cm
Front lens filter thread	--	M46x0.75 mm
Length	107 in / 272 mm	124.8 in / 317 mm
Weight	19.2 oz / 544 g [with track: 22.9 oz / 570 g]	21.9 oz / 620 g [with track: 22.9 oz / 650 g]
Waterproof	waterproof to 13.1 ft / 4 m; nitrogen-filled	waterproof to 13.1 ft / 4 m; nitrogen-filled
Available reticles	4a, Plex, L-3D, CDi	4a, Plex, L-3D, Ballistic, CDi
Reticle illumination / type	yes/dot	yes/dot
Automatic switch-off	3 min, $\pm 75^\circ$	3 min, $\pm 75^\circ$
Automatic switch-on	yes, activated by position and/or movement	yes, activated by position and/or movement
<b>Order No. (Reticle)</b>		
4a / with track	52120 / 52121	53130 / 53131
4a with BDC / with track	--	53132 / 53133
Plex / with track	52100 / 52101	53100 / 53101
Plex with BDC / with track		53102 / 53103
L-3D / with track	52110 / 52111	53120 / 53121
L-3D with BDC / with track	--	53122 / 53123
Ballistic / with track	--	53110 / 53111
Ballistic with BDC / with track	--	53112 / 53113
CD i / with track	52140 / 52141	53140 / 53141
CD i with BDC / with track	--	--



# LEICA Magnus i

## Technical data

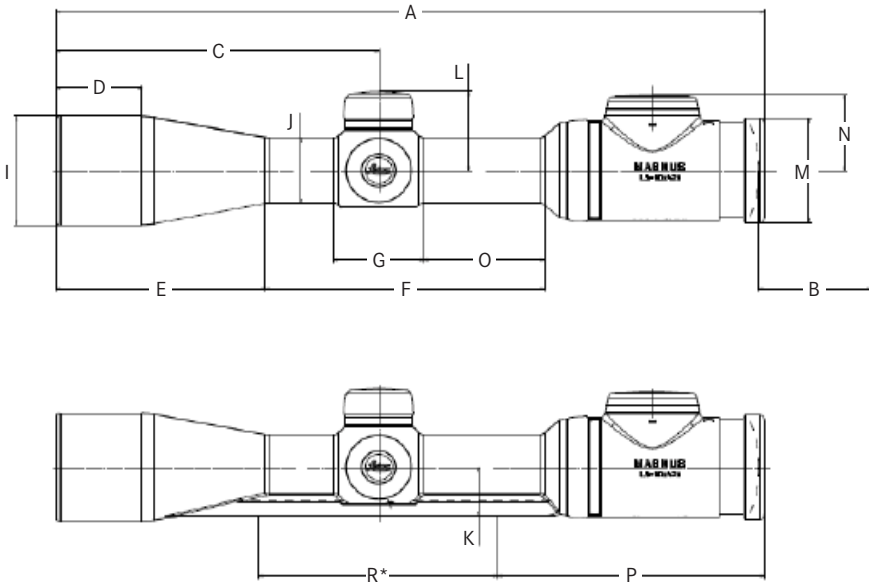


Riflescope	Leica Magnus 1.8 – 12x50 i	Leica Magnus 2.4 – 16x56 i
Package includes	riflescope caps for front lens/eyepiece, cleaning tissue	riflescope caps for front lens/eyepiece, cleaning tissue
Front lens diameter	50 mm	56 mm
Magnification	1.8 – 12x	2.4 – 16x
Zoom	6.7x	6.7x
Field of view at max. magnification (m/100 m)	4.0 yds / 3.7 m	2.8 yds / 2.6 m
Field of view at min. magnification (m/100 m)	24.6 yds / 22.5 m	28.4 yds / 17 m
Eye relief	> 3.5 in / 90 mm	> 3.5 in / 90 mm
Exit pupil	4.2 - 12.4 mm	3.5 - 12.4 mm
Parallax	adjustable, 50 m to infinity	adjustable, 50 m to infinity
Diopter compensation	-4/+3 dpt	-4/+3 dpt
Coating	AquaDura® lens coating	AquaDura® lens coating
Transmission	approx. 91%	approx. 91%
Mounting option	30 mm tube / Zeiss internal track	30 mm tube / Zeiss internal track
Impact point correction	1 click = 1 cm/100 m ( $\approx 1/3$ MOA), 150 x140 cm	1 click = 1 cm/100 m ( $\approx 1/3$ MOA), 150 x140 cm
Front lens filter thread	M52x0,75 mm	M58x0,75 mm
Length	340 mm	360 mm
Weight	24.7 oz / 700 g [with track: 25.6 oz / 725 g]	27.7 oz / 785 g / [with track: 28.7 oz / 815 g]
Waterproof	waterproof to 13.1 ft / 4 m; nitrogen-filled	waterproof to 13.1 ft / 4 m; nitrogen-filled
Available reticles	4a, Ballistic	4a, Plex, Ballistic
Reticle illumination / type	yes/dot	yes/dot
Automatic switch-off	3 min, $\pm 75^\circ$	3 min, $\pm 75^\circ$
Automatic switch-on	yes, activated by position and/or movement	yes, activated by position and/or movement
<b>Order No. (Reticle)</b>		
4a / with track	53160 / 53161	54130 / 54131
4a with BDC / with track	53162 / 53163	54132 / 54133
Plex / with track	--	54100 / 54101
Plex with BDC / with track	--	54102 / 54103
L-3D / with track	--	--
L-3D with BDC / with track	--	--
Ballistic / with track	53170 / 53171	54110 / 54111
Ballistic with BDC / with track	53172 / 53173	54112 / 54113
CD i / with track	--	--
CD i with BDC / with track	--	--



# LEICA Magnus i

## Dimensions



	Leica Magnus 1 – 6.3x24 i without/with Rail	Leica Magnus 1.5 – 10x42 i without/with Rail	Leica Magnus 1.8 – 12x50 i without/with Rail	Leica Magnus 2.4 – 16x56 i without/with Rail
A	272 mm	316 mm	333 mm	360 mm
B	91 mm	91 mm	91 mm	91 mm
C	100 mm	144 mm	161 mm	188 mm
D	--	38 mm	54 mm	59 mm
E	79 mm	93 mm	103 mm	122 mm
F	E + F: 174 mm	125 mm	132 mm	140 mm
G	40 mm	40 mm	40 mm	40 mm
I	30 mm	50 mm	57 mm	62 mm
J	30 mm	30 mm	30 mm	30 mm
K	23 mm	23 mm	23 mm	23 mm
L	36 mm	36 mm	36 mm	31 mm
M	48 mm	48 mm	48 mm	48 mm
N	35 mm	35 mm	35 mm	35 mm
O	54 mm	54 mm	54 mm	54 mm
P	119 mm	119 mm	119 mm	119 mm
R*	139 mm	107 mm	111 mm	115 mm

\*useful rail length